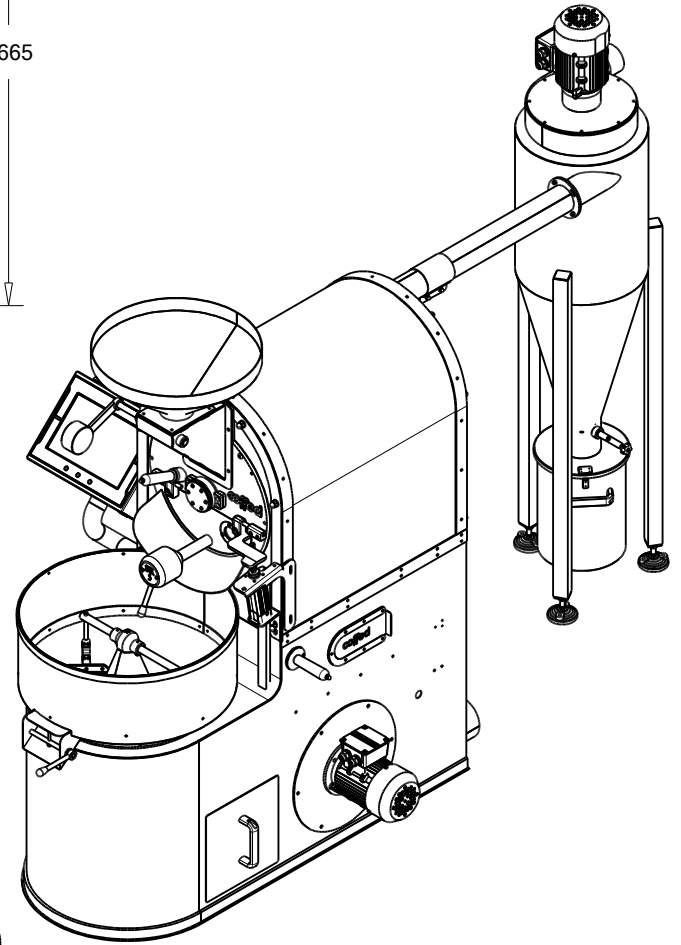
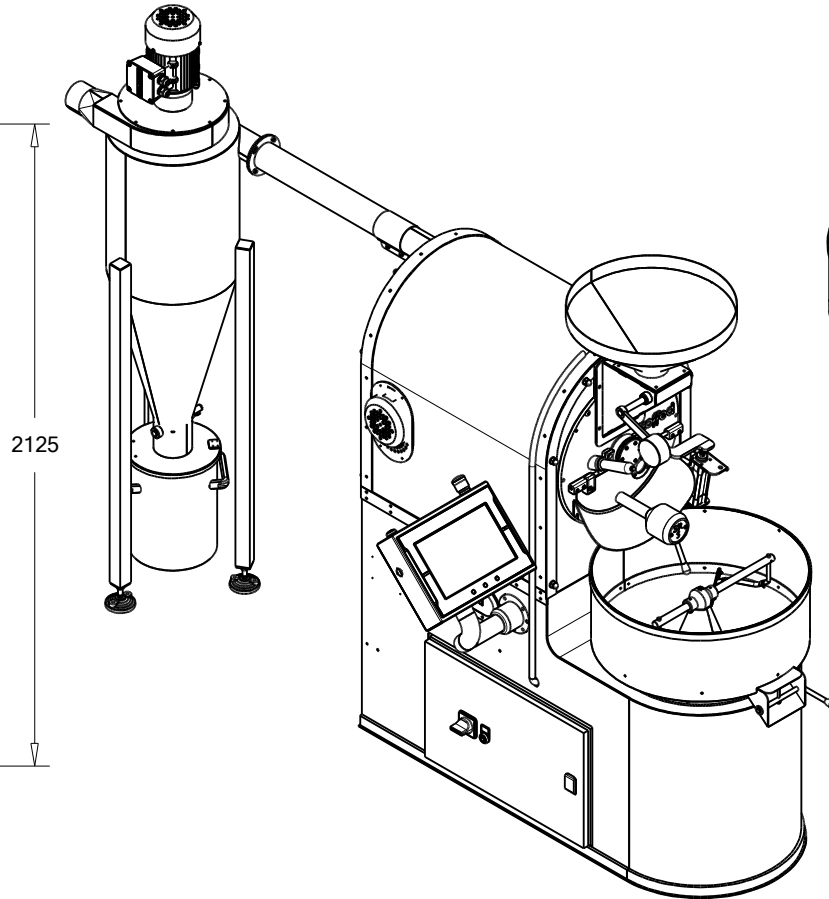
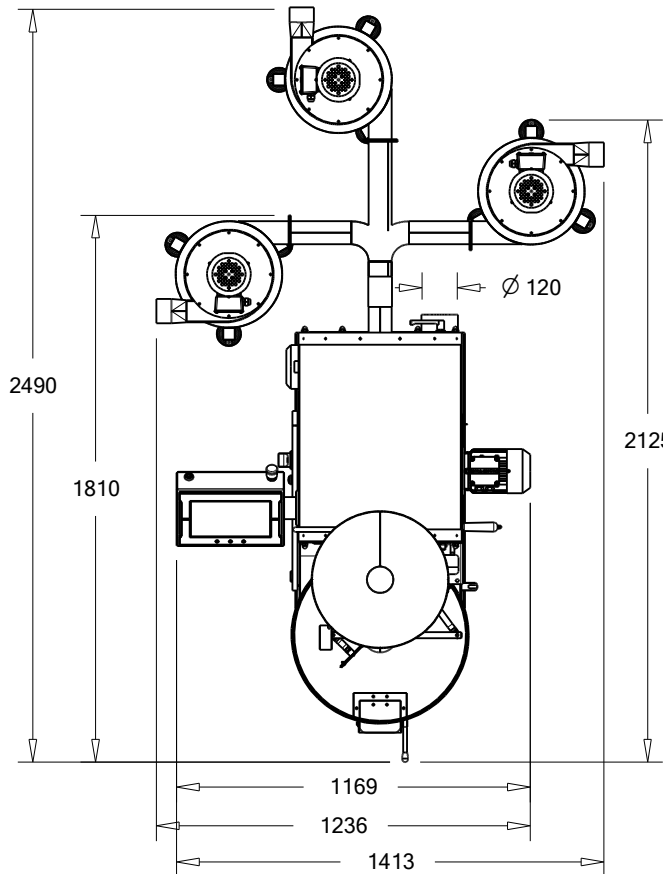


Ø80



ADAPTED TO CUSTOMER REQUIREMENTS