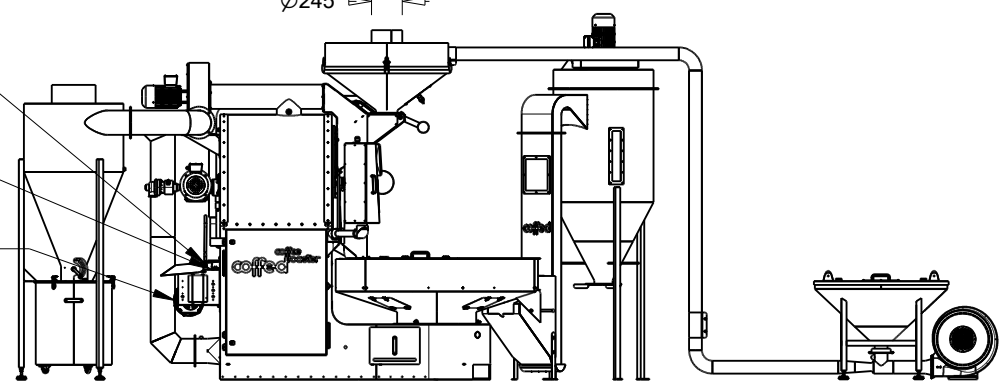


Water connection G1/2"
ambient water pressure need 3 bar
height from the floor 905 mm

Compressed air connection n8
ambient air pressure need 6-7
height from the floor 830 mm

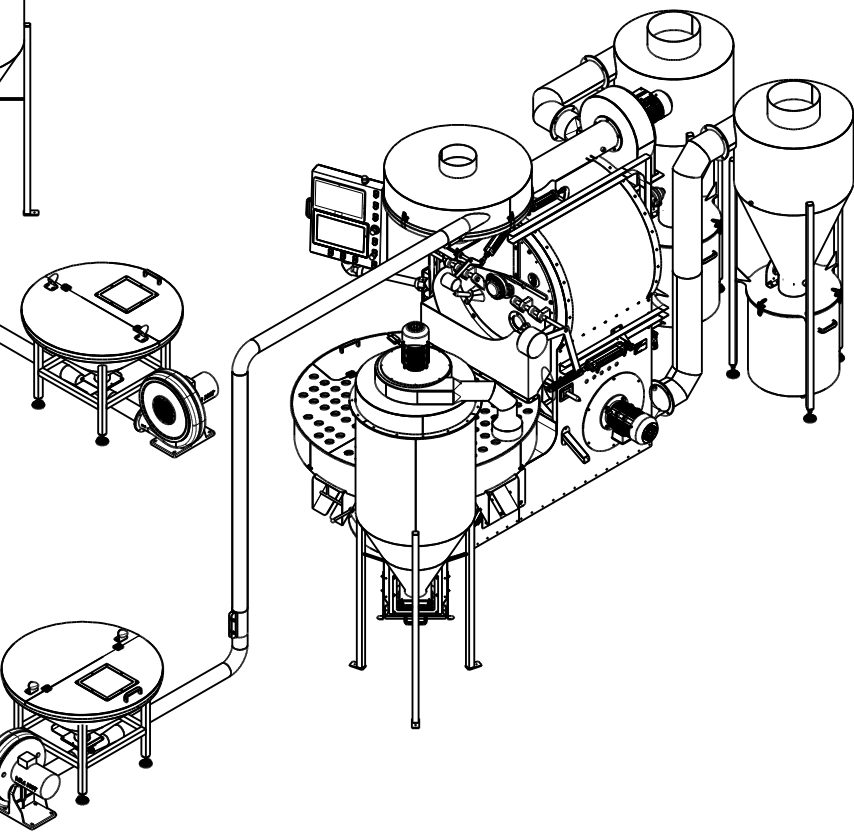
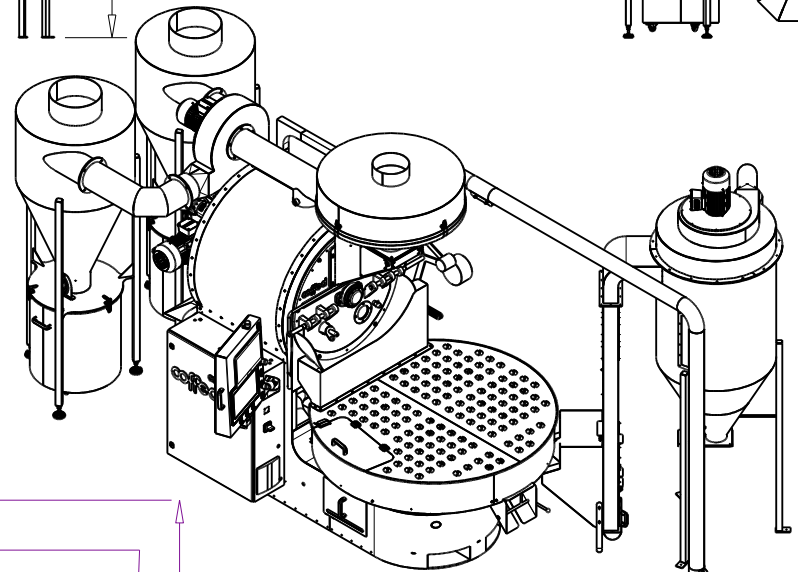
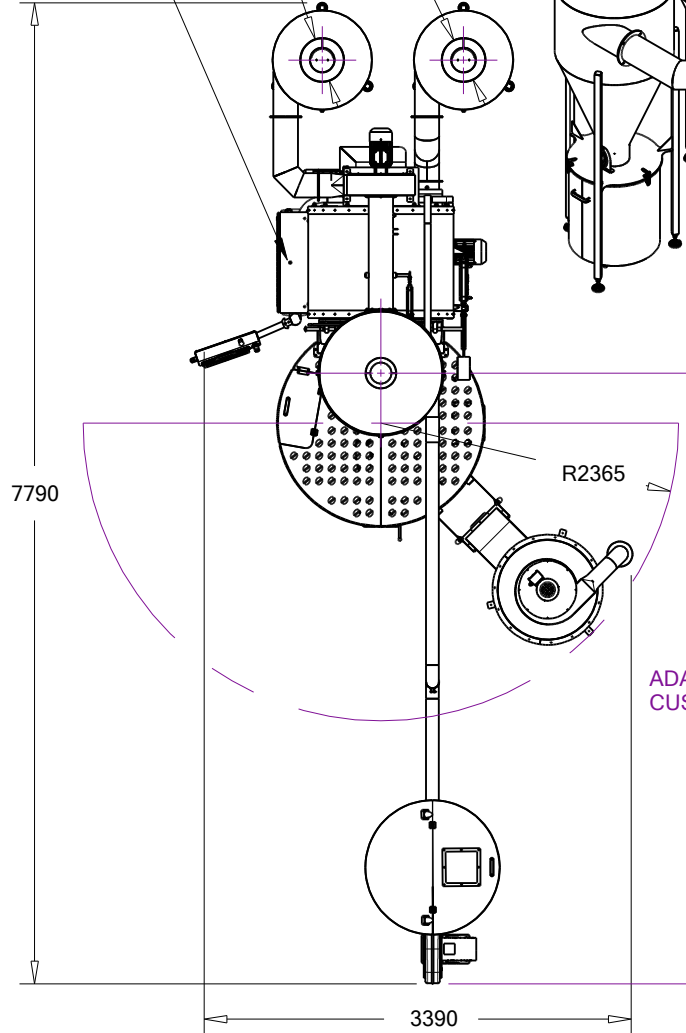
Gas connection G1"; burner capacity max. 180 kW
20 mbar flow pressure at full load
ambient gas need 21 m3/h
height from the floor 620 mm

Ø245



Electrical rating 15kVA
3m long device power cord

Ø350 Ø350



R2365

ADAPTED TO
CUSTOMER REQUIREMENTS